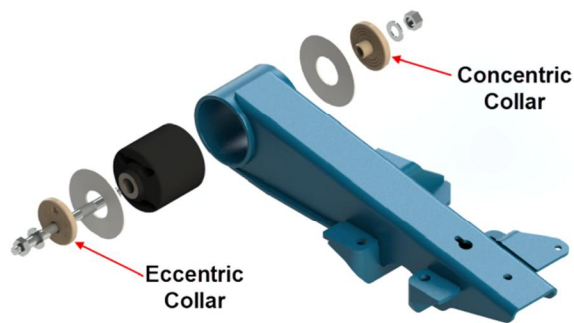


Watson & Chalin recently announced the addition of the new Align-Trac trailing arm-to-hanger pivot connection for trailer air suspensions. This Technical Bulletin addresses the addition of two new service kits that are now available for the Align-Trac pivot connection. Since we have released two versions of the Align-Trac, we also have two versions of the service kits.

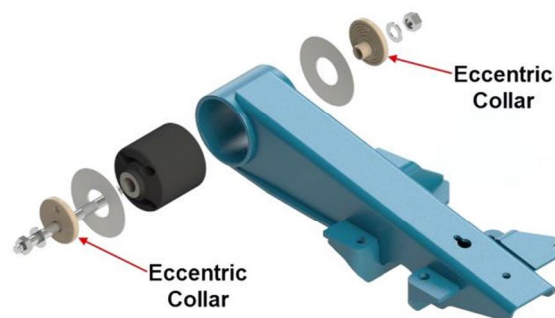
**Standard application Align-Trac connection** (One eccentric collar and one concentric collar on each suspension hanger, only one side of each hanger has vertical alignment guides.)

Service Kit – SRKHPPT16120 - Bushing and hardware in each kit services one full suspension.



**Special metric application with dual Align-Trac eccentric collars** (Eccentric collars on both sides of each hanger, and both sides of each hanger has vertical alignment guides.)

Service Kit – SRKA-24204WCM – Bushing and metric hardware in each kit services one full suspension.



When servicing this pivot connection, realignment of the axles will be necessary. Refer to **LIT1004** for procedures specific to the Align-Trac connection.