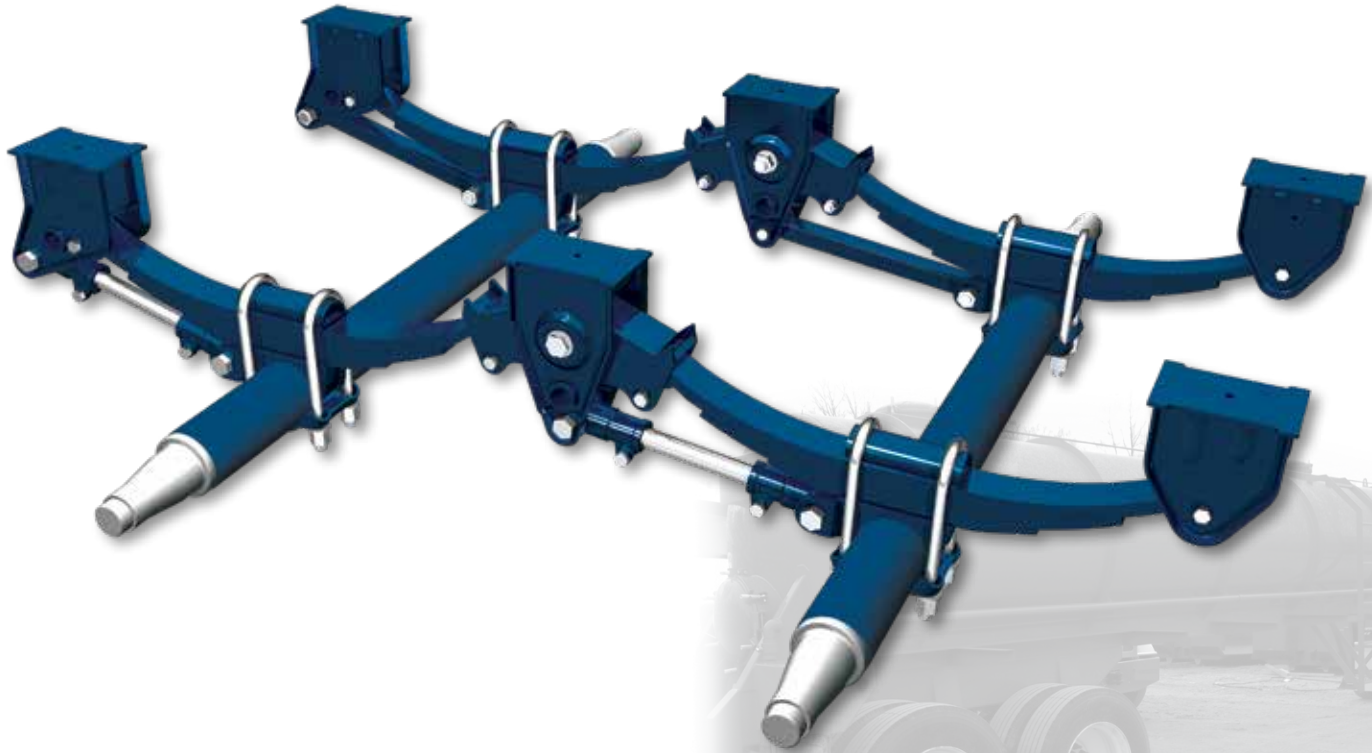


MS2200

MULTI-SPRING TRAILER SUSPENSION

MS



MS2200

The MS2200 is a steel spring trailer suspension offering outstanding durability and dependability which helps reduce downtime and protect your load. With a rated capacity of up to 25,000 pounds per axle, the MS2200 is available in single, tandem and tridem configurations. The MS2200 is ideal for tankers, platforms, vans and container chassis applications.

- Up to 25,000 pounds capacity per axle
- Single, tandem or tridem axle configuration
- Fabricated hangers and equalizers
- 5 in. diameter axle seats
- Up to 49 inches axle spacing
- 1-year limited warranty*

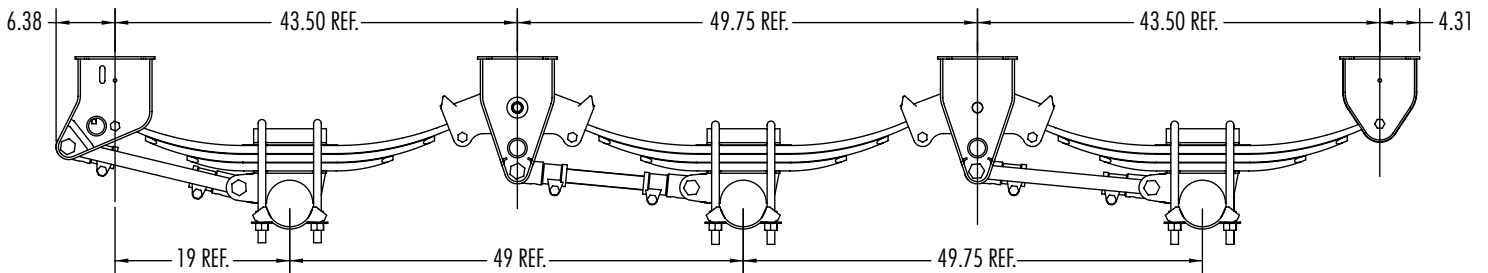
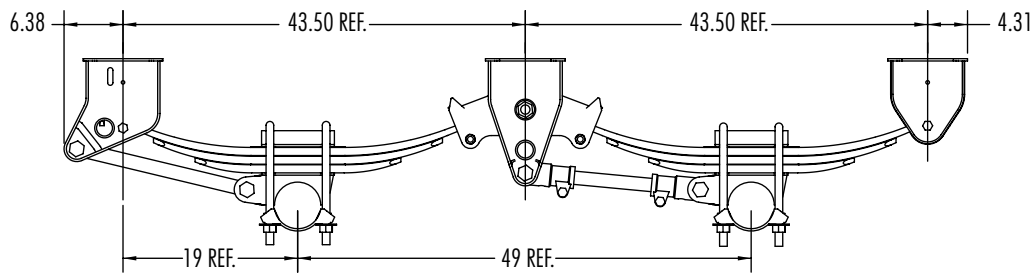
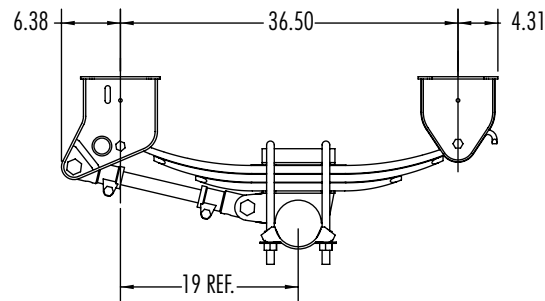
* Contact your local Watson & Chalin representative for complete warranty terms, conditions and limitations.

For more information, call 800.445.0736



Watson & Chalin is a brand of Hendrickson

Integrated Suspension and Axle Assembly



- Axle spacing up to 49 inches
- Hanger Style: Under mount, flange mount and side mount
- Mounting Height:
Top mount: 13.75 inches to over 20 inches
Underslung: 4.25 inches to 7.5 inches
- Various springs available: Up to 25,000 pounds per axle

*Actual product performance may vary depending upon vehicle configuration, operation, service and other factors.
All applications must comply with applicable specifications from Watson & Chalin and the respective vehicle manufacturer.
Contact Watson & Chalin for additional details regarding specifications, applications, capacities, and operation, service and maintenance instructions.*

Contact Watson & Chalin at 972.547.6020 for additional information.



Watson & Chalin
725 E. University Drive, McKinney, Texas 75069
972.547.6020 • 800.445.0736 • Fax 972.542.0097
www.watsonsuspensions.com

