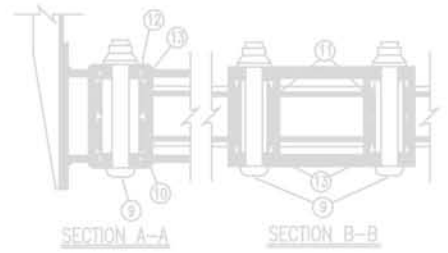


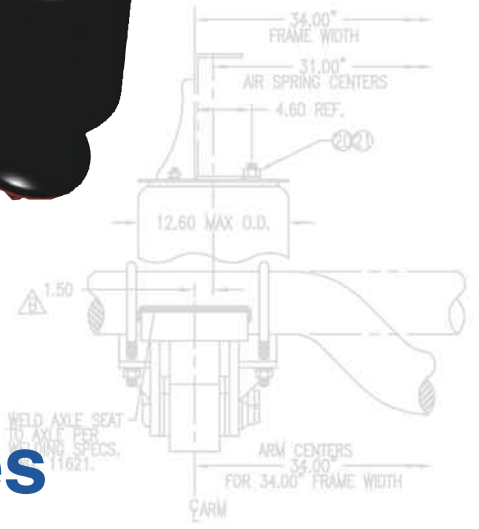
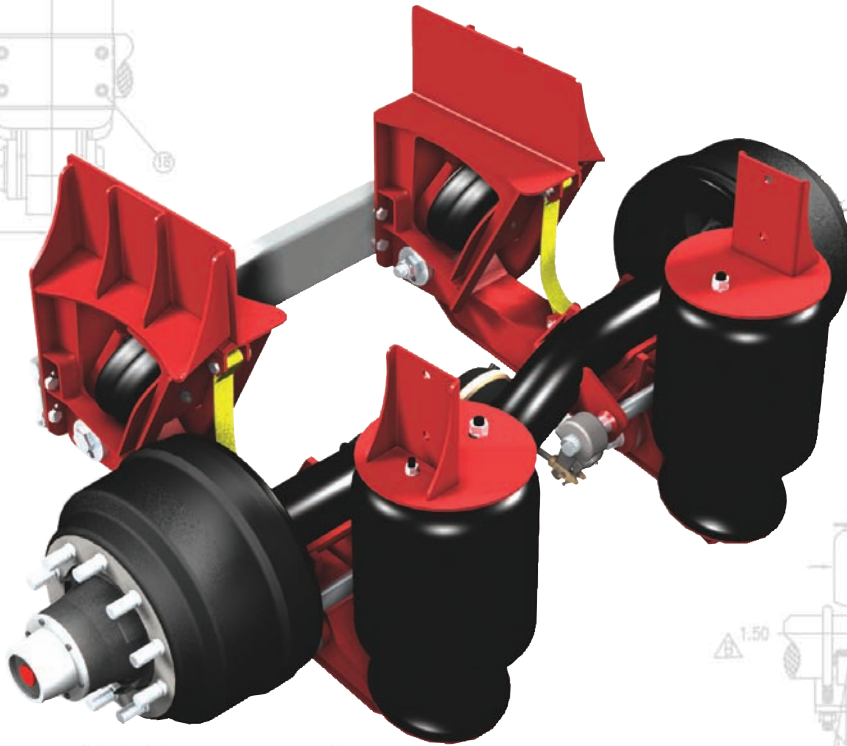


Watson Suspension Systems



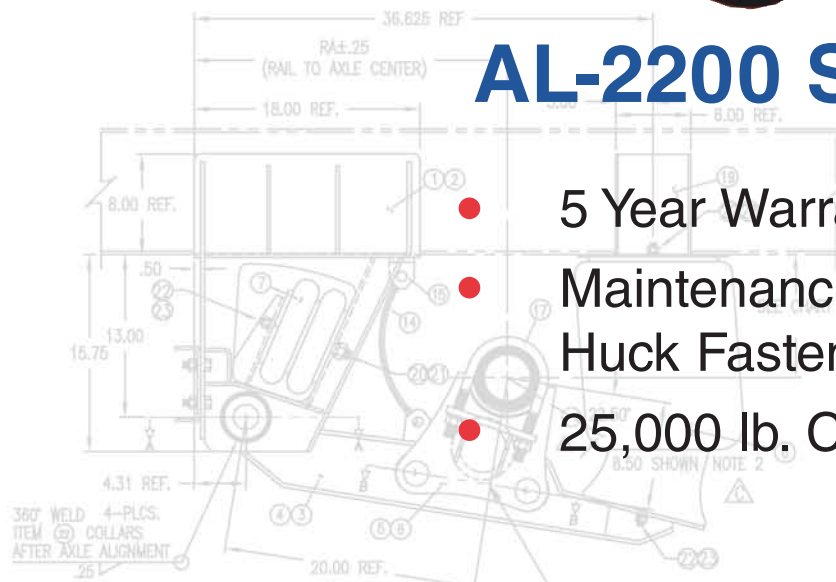
AL-2200

NON-STEERABLE LIFT AXLE SUSPENSION



AL-2200 Series

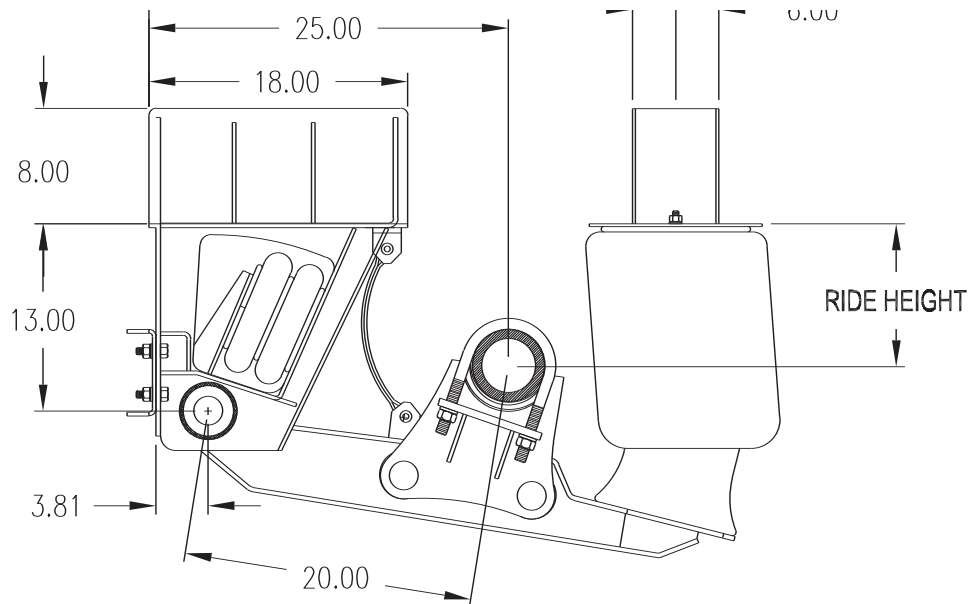
- 5 Year Warranty
- Maintenance Free with Huck Fasteners
- 25,000 lb. Capacity



LEADERSHIP IN SUSPENSION TECHNOLOGY

AL-2200 SERIES NON-STEERABLE LIFT AXLE

AVAILABLE AS PUSHER OR TAG AXLE ASSEMBLY



- Axle Travel: 10 in.
- Capacity: 25,000 lbs.
 - Lightweight 13,200 lbs. available
- Ride Heights: 8 thru 19 in.
- Maintenance Free HUCK Fasteners
- Factory Pre-Assembled
- Positive Axle Stop
- Compact Design
- Air Ride-Air Lift
- Two Pin Axle Connection-Rubber Bushed

Optional: ***Eccentric Alignment*** (Requires Maintenance)



Watson Suspension Systems

972.547.6020 800.445.0736

FAX: 972.542.0097

725 E. UNIVERSITY DR. MCKINNEY, TEXAS 75069

www.WatsonSuspensions.com