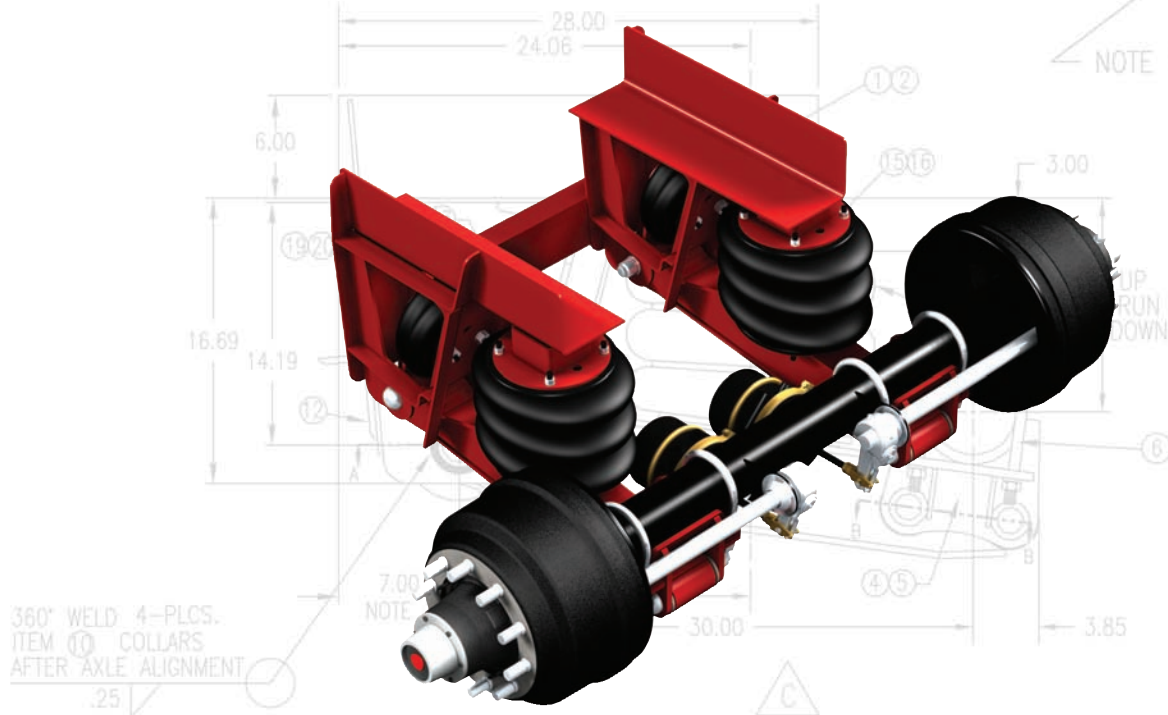




Watson Suspension Systems

AL-1300/TL-1300 NON-STEERABLE LIFT AXLE SUSPENSION FOR TRUCK OR TRAILER



AL-1300 Series

- 3 Year Warranty
- Maintenance Free with Huck Fasteners
- 13,200 lb. Capacity

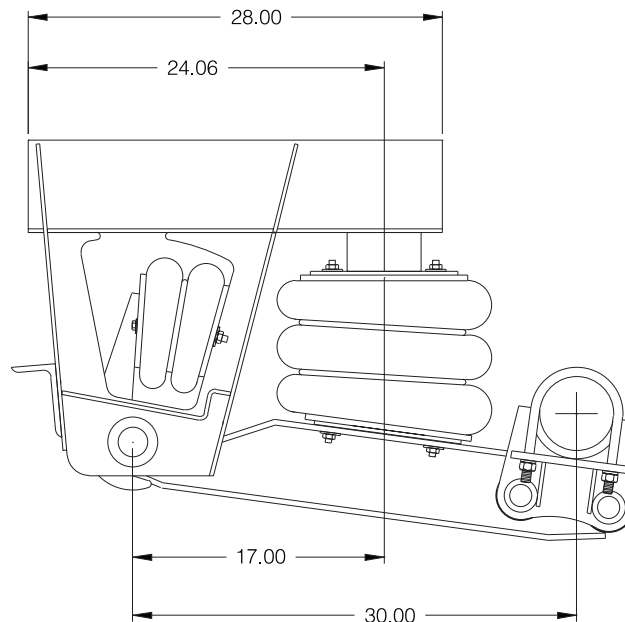
LEADERSHIP IN SUSPENSION TECHNOLOGY

WELD AXLE S...
TO AXLE
WELDING SPECS.
DWG. 11621.

29.50 ARM CENTERS

AL-1300/TL-1300 SERIES NON-STEERABLE LIFT AXLE

**AVAILABLE AS PUSHER OR TAG AXLE ASSEMBLY
FOR TRUCK OR TRAILER**



- Axle Travel: 14 in.
- Capacity: 13,200 lbs.
- Ride Heights: 11.0 to 33.0 in.
- Maintenance Free HUCK Fasteners
- Two Pin Axle Connection-Rubber Bushed
- Brakes: 15 x 4 Bolt-On
16.5 x 7 in. S CAM
12.25 x 7 1/2 in. S CAM
- Wheels:
15 or 20 in.
Hub Piloted, Stud Piloted or Spoke

Optional: *Eccentric Alignment* (Requires Maintenance)



Watson Suspension Systems

972.547.6020 800.445.0736

FAX: 972.542.0097

2060 COUCH DRIVE MCKINNEY, TEXAS 75069

www.WatsonSuspensions.com