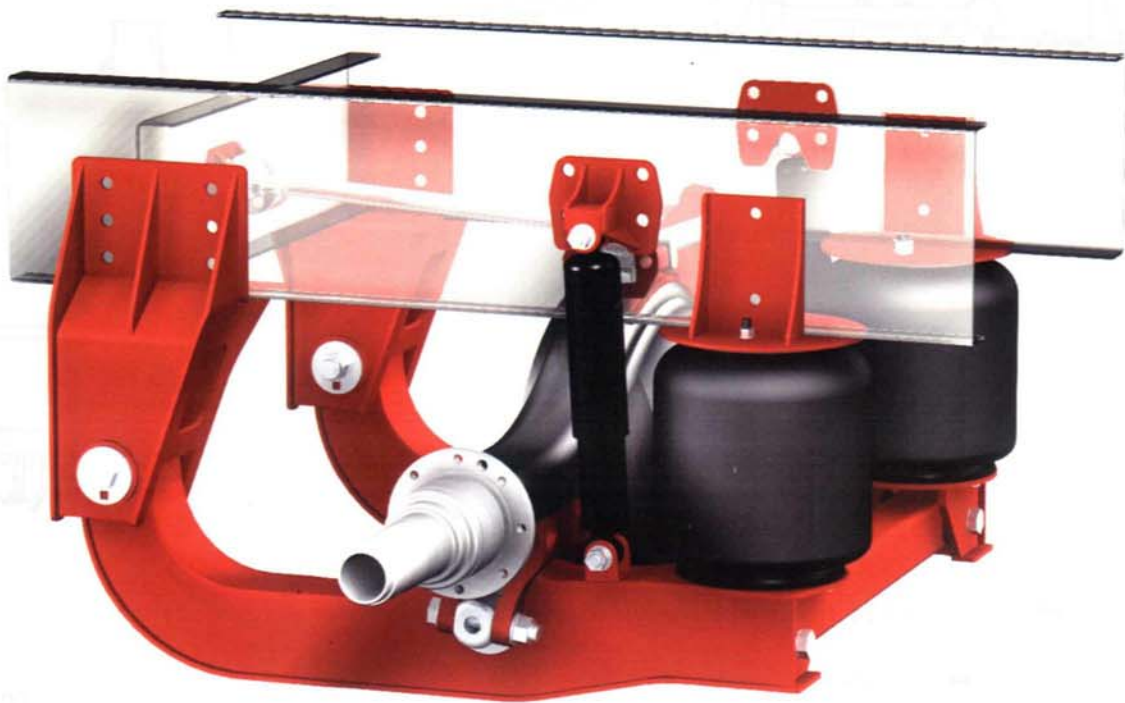




Watson Suspension Systems

HEAVY DUTY DRIVE AXLE AIR RIDE SUSPENSION



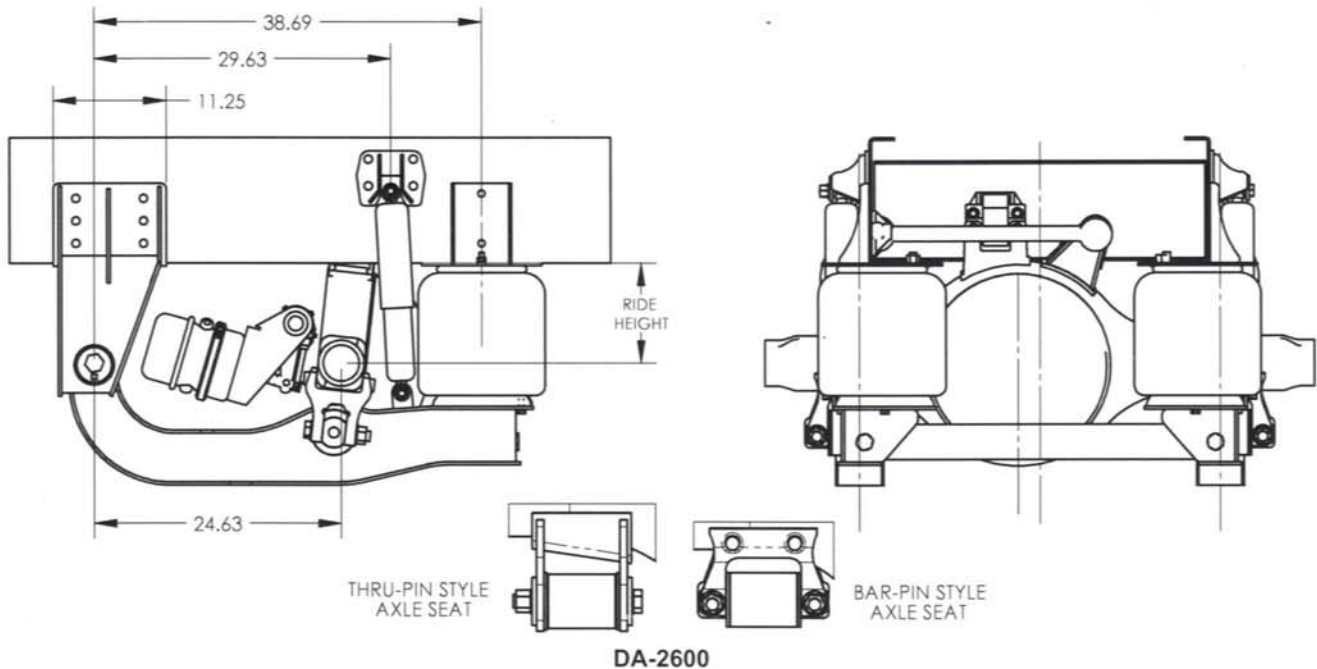
DA-2600/DA-3000 Series

- 25,000 and 30,000 lb. Capacities
- Single, Tandem and Tridem Configurations
- Parallelogram Design for Constant Pinion Angle
- **Approved for 100% Off-Highway Applications**

LEADERSHIP IN SUSPENSION TECHNOLOGY

DA-2600/DA-3000 SERIES

DRIVE AXLE AIR RIDE SUSPENSION



- Axle Travel: 7 in.
- Capacities: 26,000 and 30,000 lbs.
- Ride Heights: 9 thru 15 in.
- Axle Adapter Styles: Bar Pin or Thru Pin
- No Air Spring Loading on Rear Torsion Bar
- Weight: DA-2600 - 496 lbs.
DA-3000 - 581 lbs.
- Heavy Duty Shock Absorbers
- Eccentric Alignment Available



Watson Suspension Systems

972.547.6020 800.445.0736

FAX: 972.542.0097

2060 COUCH DRIVE MCKINNEY, TEXAS 75069

www.WatsonSuspensions.com