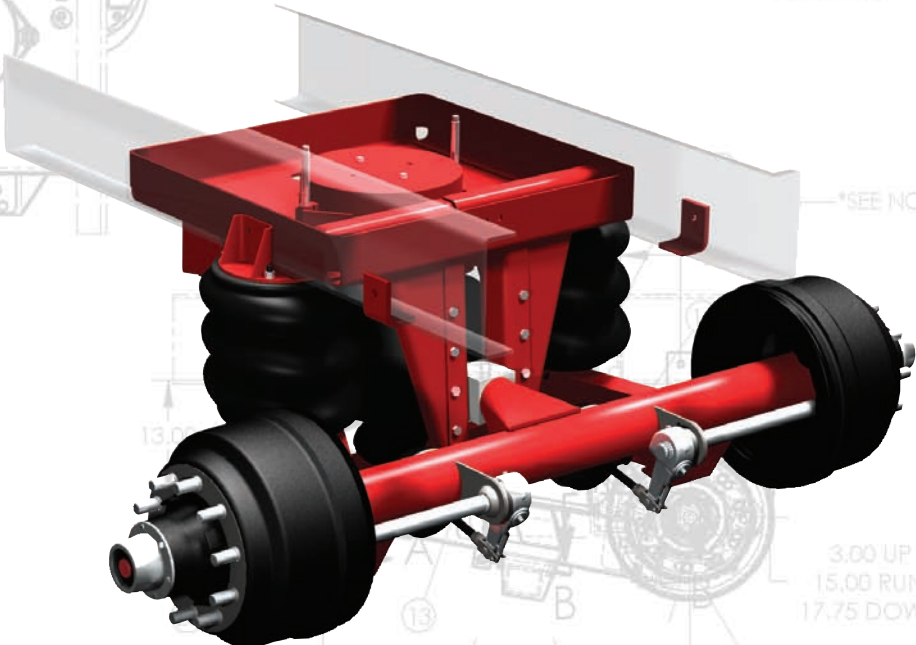


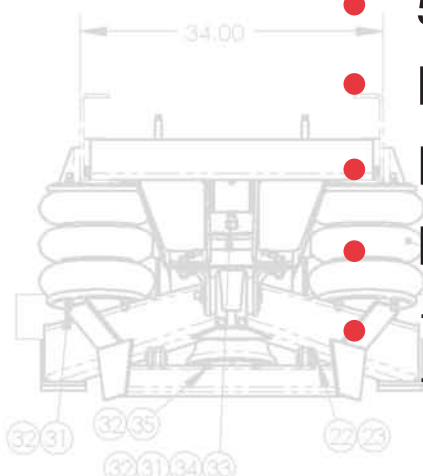
Watson Suspension Systems

HIGH LIFT DRAW BAR NON-STEERABLE TAG LIFT AXLE SUSPENSION



AL-1200/1600/1900DB Series

- 5 Year Warranty
- High Articulation
- Replaceable Wear Plates
- Factory Pre-Assembled
- 12,000, 16,000 and 19,000 lb. Capacity Available



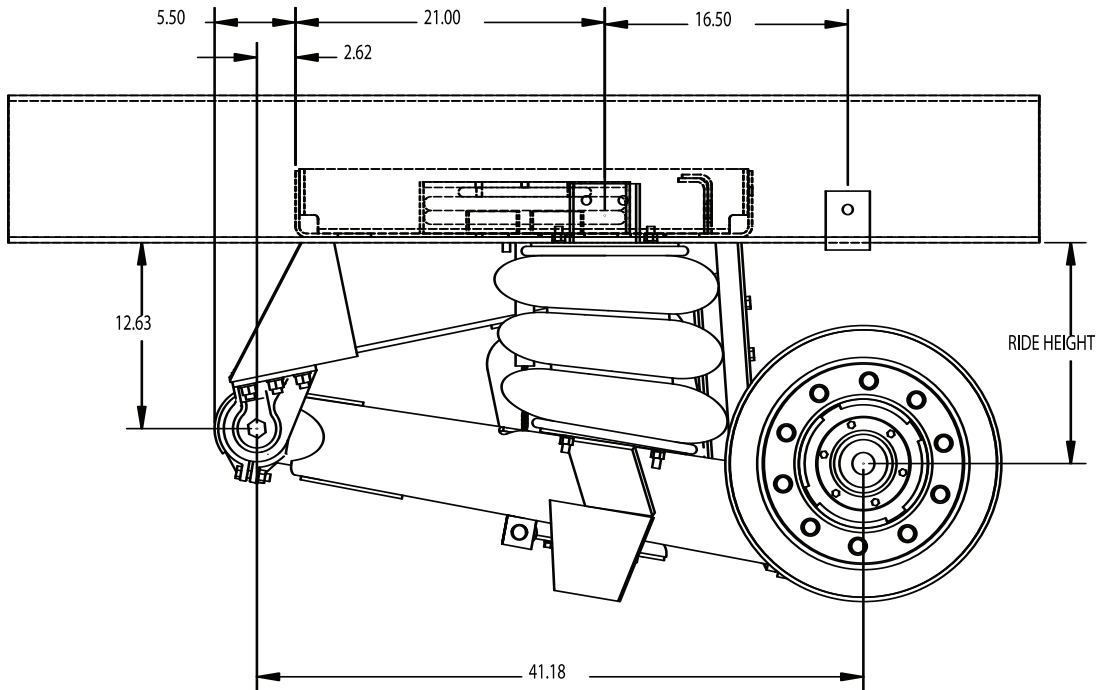
LEADERSHIP IN SUSPENSION TECHNOLOGY

AL-1200/1600/1900DB SERIES

HIGH LIFT NON-STEERABLE TAG LIFT AXLE

DESIGNED PRIMARILY FOR:

- CRANES
- MIXERS
- BLOCK HAULERS
- MATERIAL HANDLERS



- Reinforced Pan Cross Member
- Axle Travel: 18 in.
- Axle Lift Clearance: 12 in.
- Long Life Travel Block
- Air Ride - Air Lift
- Available Brakes: 16 $\frac{1}{2}$ x 7 in. and 12 $\frac{1}{4}$ x 7 $\frac{1}{2}$ in.



Watson Suspension Systems

972.547.6020 800.445.0736

FAX: 972.542.0097

2060 COUCH DRIVE MCKINNEY, TEXAS 75069

www.WatsonSuspensions.com