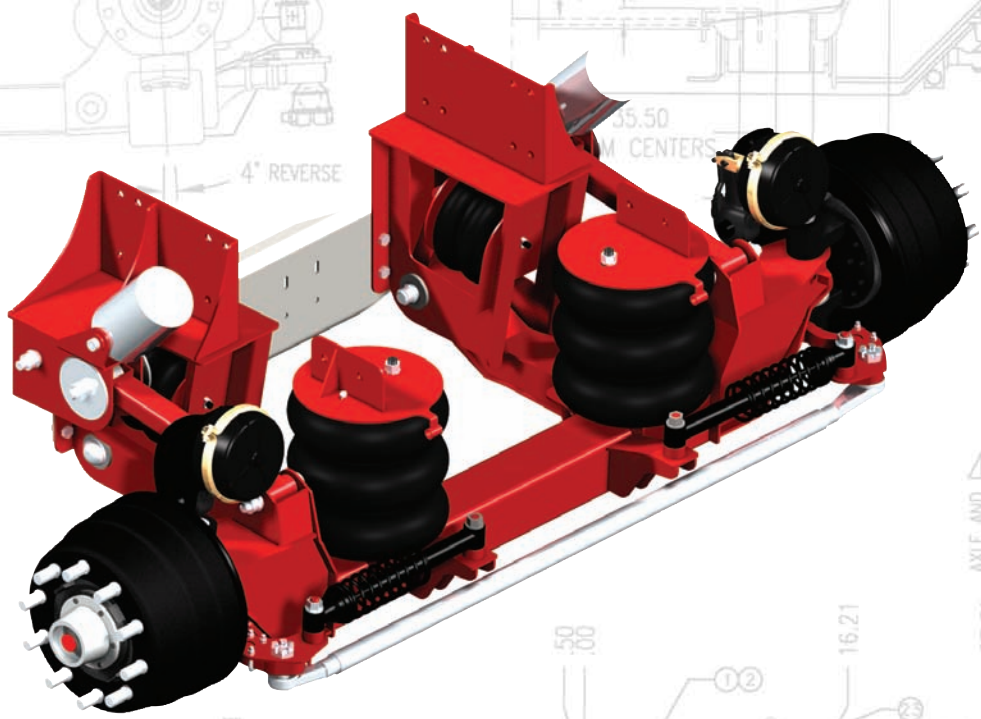




Watson Suspension Systems

REVERSE STEER TRU-TRACK



RSL-1186TT

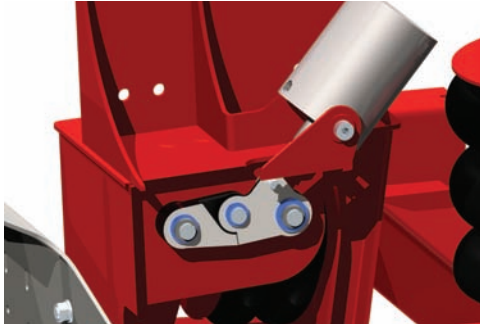
- 5 Year Warranty
- Maintenance Free with Huck Fasteners
- 13,200 lb. Capacity

LEADERSHIP IN SUSPENSION TECHNOLOGY

RSL-1186TT

REVERSE STEER TRU-TRACK

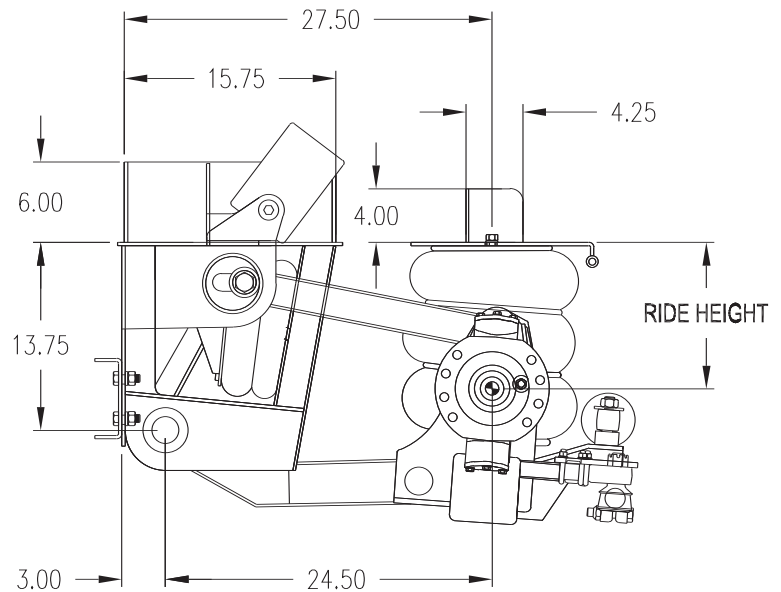
INTEGRATED SUSPENSION AND AXLE ASSEMBLY



FORWARD POSITION



REVERSE POSITION



- Axle Travel: 13.5 in.
- Axle Lift: 11 in.
- Capacity: 13,200 lbs.
- Ride Height: 7 thru 16 in.
- Parallelogram Design
- Lightweight: 1,050 lbs.
- Maintenance Free HUCK Fasteners
- Dual Self-Centering Stabilizers
- Preset Caster

Safety Feature: Forward Caster Position Locked In



Watson Suspension Systems

972.547.6020 800.445.0736

FAX: 972.542.0097

725 E. UNIVERSITY DRIVE MCKINNEY, TEXAS 75069

www.WatsonSuspensions.com