



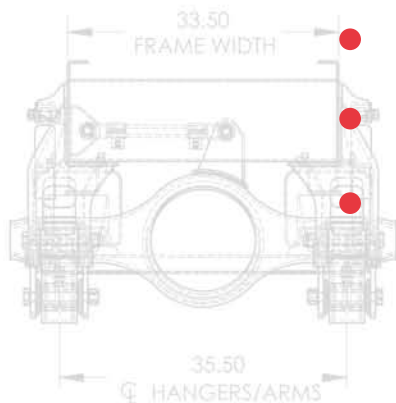
Watson Suspension Systems

17K DRIVE AXLE AIR RIDE SUSPENSION

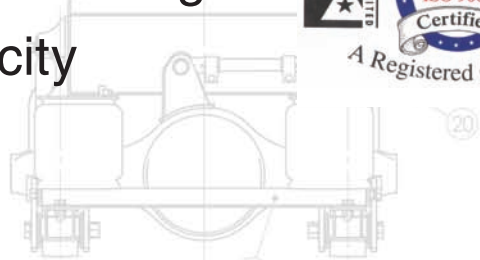


DA-1700 Series

SECTION B-B
SCALE 1 : 6



- 5 Year Warranty
- Low Maintenance Design
- 17,000 lb. Capacity



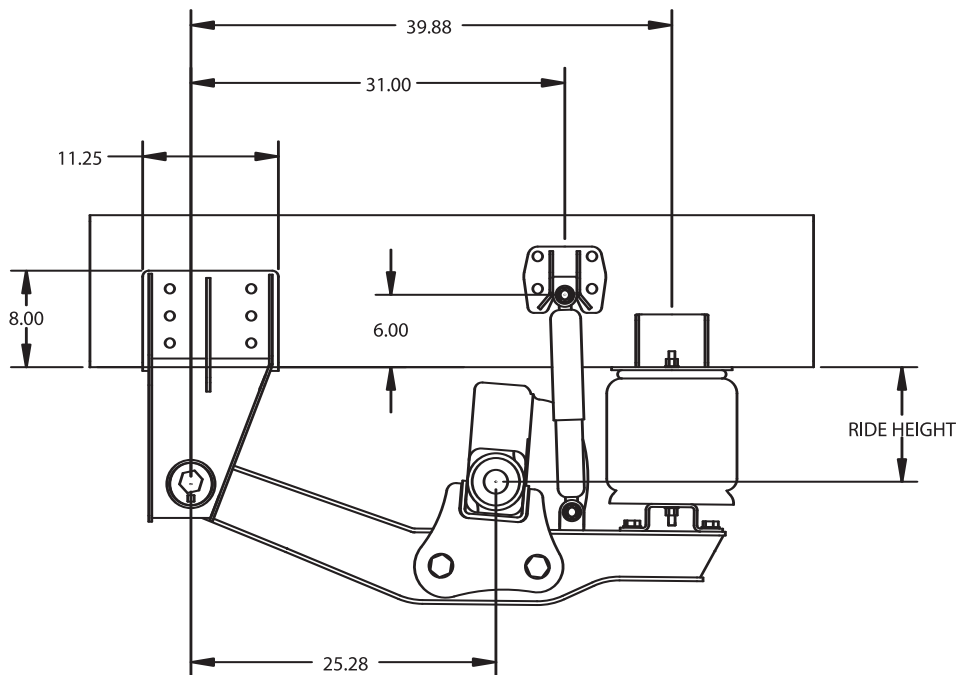
LEADERSHIP IN SUSPENSION TECHNOLOGY

DA-1700 SERIES

DRIVE AXLE AIR RIDE SUSPENSION

TYPICAL APPLICATIONS:

- BUSES
- PICK UP & DELIVERY TRUCKS
- RECREATIONAL VEHICLES



- Axle Travel: 6 in.
- Capacity: 17,000 lbs.
- Ride Heights: 7.5 thru 9.5 in.
- Weight: 450 lbs.
- Adjustable Track Bar
- Low Maintenance Cross Channel Design
- Eccentric Alignment
- 2 Pin Rubber-Bushed Axle Connection
- Superior Lateral Load Distribution
- Superior Roll Stability for High Center of Gravity Loads



Watson Suspension Systems

972.547.6020 800.445.0736

FAX: 972.542.0097

2060 COUCH DRIVE MCKINNEY, TEXAS 75069

www.WatsonSuspensions.com