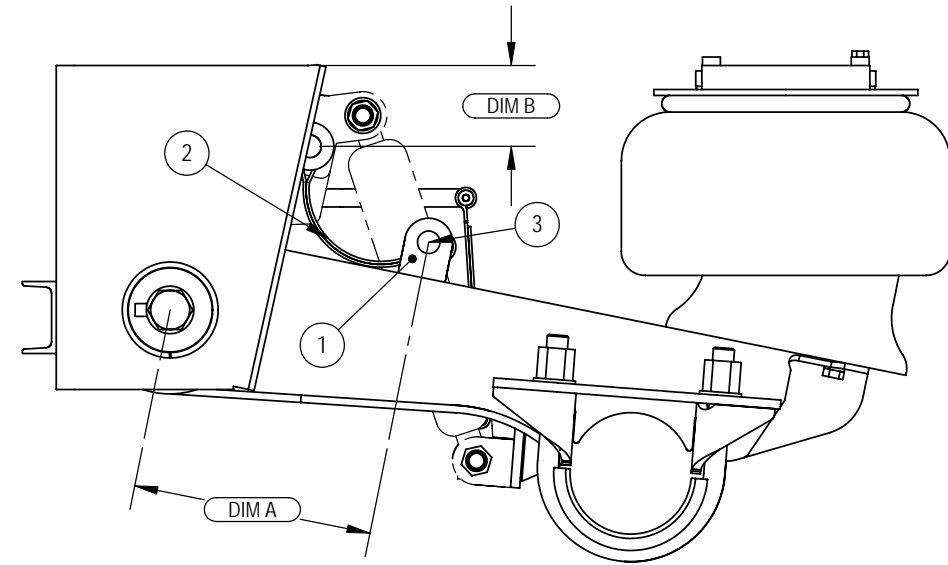
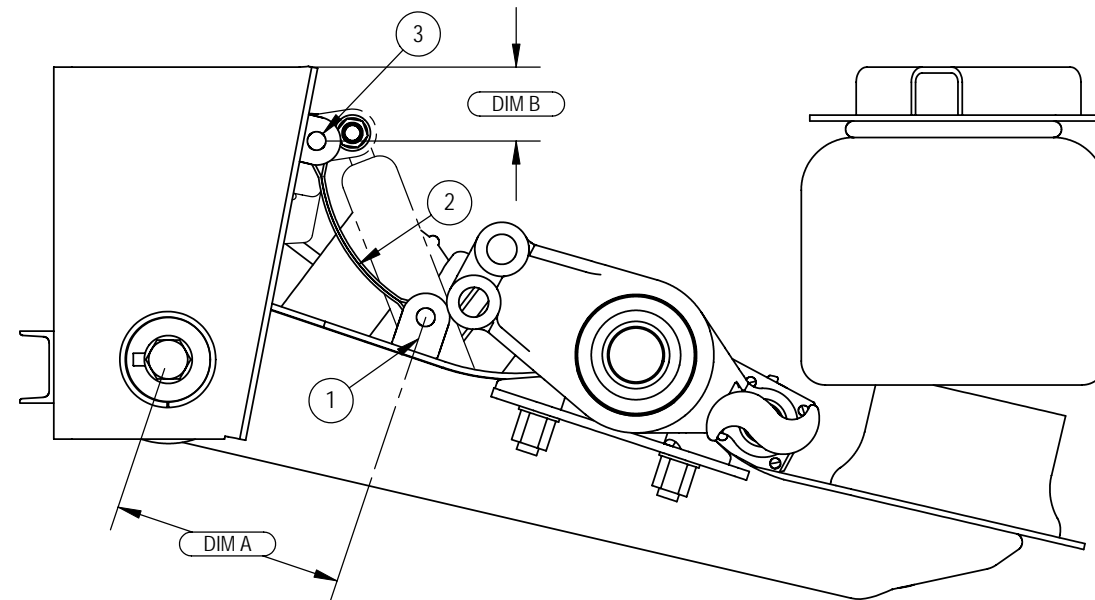


REV.	DESCRIPTION	ECN	DATE	BY
A	NEW DRAWING	C-4148	8/8/2006	TEG
B	WAS 1/90 NOW 1.43	C-4822	8/16/2007	TEG
C	ADDED TA230T04 TO CHART	R-4929	10/9/2007	TEG
D	ADDED 15 RUN	S-4986	11/5/2007	TEG

ITEM NO.	QTY	PART NUMBER	DESCRIPTION
1	4	17159	SHOCK OR STRAP BRACKET
2	2	CHART	STRAP SEE CHART
3	1	16003	STRAP HARDWARE PACK



TA230/250/300T04



TA250/300U09

PART NO.	APPLICATION	DIM A	DIM B	ITEM # 2	LENGTH	REF DWG		
<b>TOP MOUNT TA250/300</b>								
980155T-14	TA250T04-14	10.00	1.43	17550	8.14	120227		
980155T-15	TA250/300T04-15		1.91			120228/231		
980155T-16	TA250/300T04-16		2.39			120229/249		
980155T-17	TA250/300T04-17		3.37			120230/232		
980155T-19	TA300T04-19	2.00	4.91	17550-01	10.50	120250		
980155T-21	TA300T04-21	4.91				120251		
980155T-23	TA300T04-23	5.62	6.15	17550-02	12.07	120253		
980155T-24	TA300T04-24	6.15				120254		
<b>UNDER MOUNT TA250/300</b>								
980155U-5	TA250U09-5.5	10.00	2.15	17550	8.14	120432		
980155U-6	TA250U09-6.5		1.67			120433		
980155U-7	TA250/300U09-7.5		3.08			17550-01	10.50	120430/441
980155U-9	TA250/300U09-9							120435/442
980155U-122	TA250U09-12	3.08	4.75	17550-02	12.07	120434		
980155U-123	TA300U09-12	4.75				120444		
980155U-142	TA250U09-14	3.32	5.02	17550-02	12.07	120436		
980155U-143	TA300U09-14	5.02				120445		
980155U-153	TA300U09-15	5.37	4.23	17550-04	15.62	120593		
980155U-17	TA300U09-17	4.23				120446		
<b>TOP MOUNT TA230</b>								
980155T-34	TA230T04-14	10.00	1.79	17550	8.14	TA230T04		
980155T-35	TA230T04-15		3.00					
980155T-36	TA230T04-16		0.65					
980155T-37	TA230T04-17		1.69				17550-01	10.50

SPECIAL CHARACTERISTICS SYMBOL LEGEND	
(X.XX)	W/C CRITICAL DIM
** X.XX	DESIGNATES A ± .125 TOL.
* X.XX	DESIGNATES A KEY CUSTOMER CHARACTERISTIC
KEY CUSTOMER CHARACTERISTICS SYMBOLS	
KCC	NAVISTAR/INTERNATIONAL
K	FREIGHTLINER
M	MACK TRUCKS
C	PACCAR

**NOTE: PARENTHESIS ( ) DENOTES REFERENCE DIMENSION**

DEPTS AFFECTED	TOLERANCES (EXCEPT AS NOTED)	DESCRIPTION: TA250/300 STANDARD STRAP KIT	
-	DECIMAL ± .06	PREVIOUS ASSY: -	SHEET: 1 OF 1
-	FRACTIONAL ± 1/16	SUSPENSION MODEL: TA250/300	SCALE: 1:8
WEIGHT: -	ANGULAR ± 1°	DATE: 08/08/06	DRAWN BY: TEG
		SIZE: B	DRAWING NO: 980155

COSTING INFO - WELDING	
WELD SIZE	.19
WELD LENGTH	32



Watson Suspension Systems